



MicroCHeaP Work Package 3

S.A. Herman
ECN



MicroCHEaP - Work package 3

“Mapping of current research activities and centres of excellence“

Objectives

- Provide a database of European R&D activities on renewable CHP
- Ranking of European CoE in terms of R&D
- Identify key players of European R&D for a future NoE



MicroCHEaP - Work package 3

“Mapping of current research activities and centres of excellence“

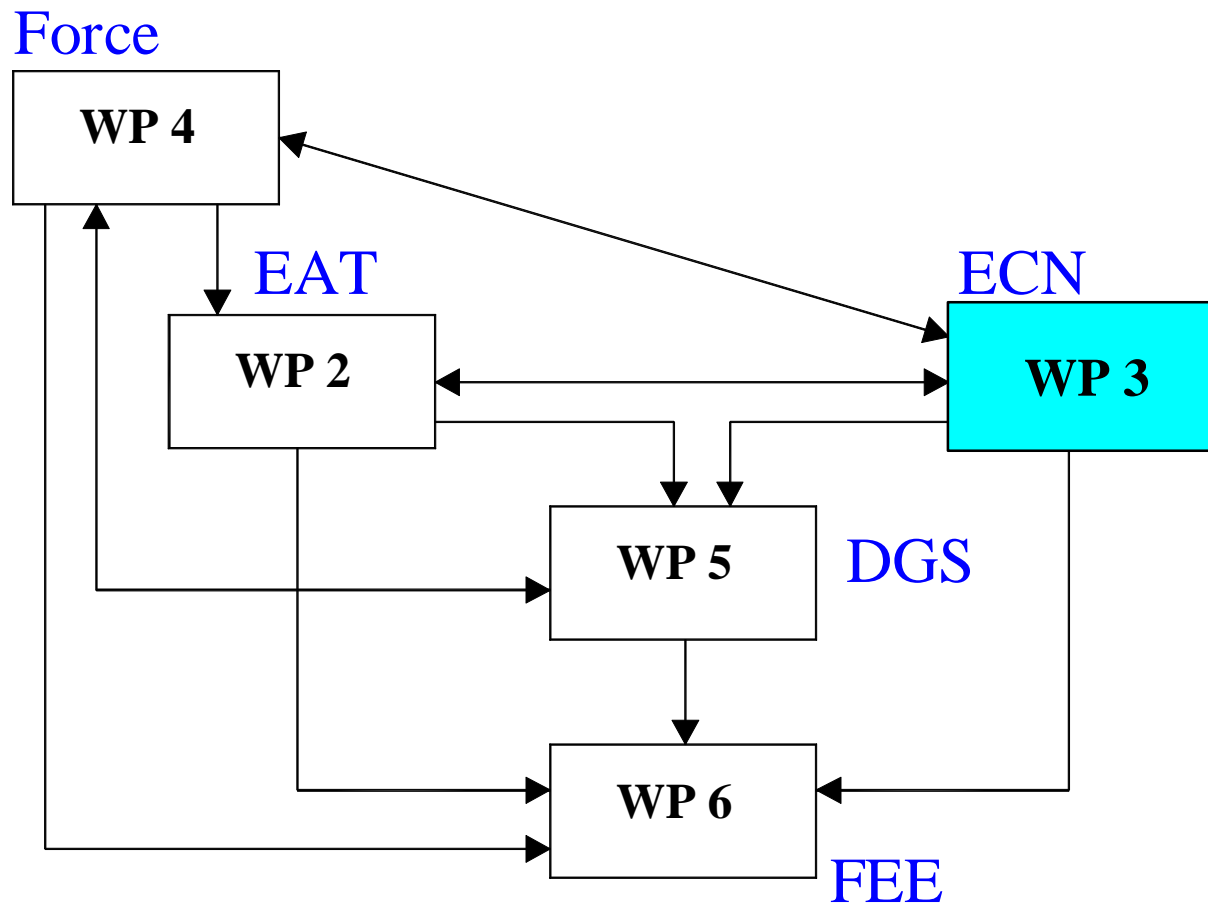
Tasks

- Mapping of R&D activities (EU and EU-candidates) ↗ database
- Analysis of results ↗ identification of CoE
- Identification of key players on Ren ?-CHP



MicroCheaP - Work package 3

Communication:



MicroCheaP - Work package 3

“Mapping of current research activities and centres of excellence“

Database of R&D activities

- Design WBI
- Ranking of European CoE in terms of R&D : Renewable ?-CHP



MicroCHEaP - Work package 3

“Mapping of current research activities and centres of excellence“

Deliverables

- D7 – Completion of on-line database structure (June 2005)
- D9 – Database of research activities fully populated (Sept 2005)
- D13 – Ranking exercise completed (March 2006)



MicroCHEaP - Work package 3

“Mapping of current research activities and centres of excellence“

